



## IPS 4K/60Hz AV over IP System

# One IPS, More Applications

Uncompressed & Zero Latency 4K/60Hz AV Over IP



The IPS transceiver product line is an SDVoE-compliant AV over IP system that enables uncompromised 4K/60Hz 4:4:4 with zero latency A/V extension across copper (IPS-AC) or fiber (IPS-AF) 10-Gigabit networks, which are centrally controlled by an IPS-M.

The IPS-AC and IPS-AF transceivers enable HDMI 2.0, enabling the delivery of HDR, 10-bit color content, and multi-channel HD audio signals. The advanced capabilities of the IPS-AC and IPS-AF transceivers include the transmission of several control and data signals in addition to audio and video, such as IR, RS-232, USB (KVM), and 1-Gigabit Extension. The IPS-AC and IPS-AF transceivers are appropriate for 18Gbps HDMI setups in which several transceivers are paired with one or more 10-Gigabit copper/fiber switches to build a dispersed network.

### Key Features

- 4K/60Hz 4:4:4 AV over IP via a 10-Gigabit network
- Seamless switching & Zero latency
- PoE+ - Power over Ethernet+ (IPS-AC Only)
- End-to-end AES 128-bit encryption ensures safe video transit
- Rackmount chassis for efficient deployment
- Preset-event function to schedule the video
- Transceiver (transmitter and receiver in one device)
- Excellent heat management with a fanless design
- Support video modes - matrix switch, multi-view display, video wall, and KVM
- Intuitive management via web GUI and APIs (Application Programming Interfaces)

**IPS-AC (Copper Transceiver)**



**IPS-M (Controller)**



**IPS-AF (Fiber Transceiver)**



**RM-7U (Rackmount Chassis)**



## Highlights



### Uncompressed 4K

The IPS product family transmits perfect resolution of uncompressed 720p, 1080p, and UHD to 4K contents over a 10-Gigabit Ethernet via standard CAT 6a (IPS-AC) and fiber (IPS-AF).



### Transceiver

The IPS-AC & IPS-AF build both transmitter and receiver in one device.

The transceiver design offers bi-directional transmission in the network which offers efficiently systemized deployment.



### Zero Latency

The IPS utilizes SDVoE's AVP platform which offers instant transmission of perfect pixels and data in the networking.



### Optimized Heat Management

The optimized hardware layout contributes excellent heat management with a fan-less design.



### Ready for Rack Mount

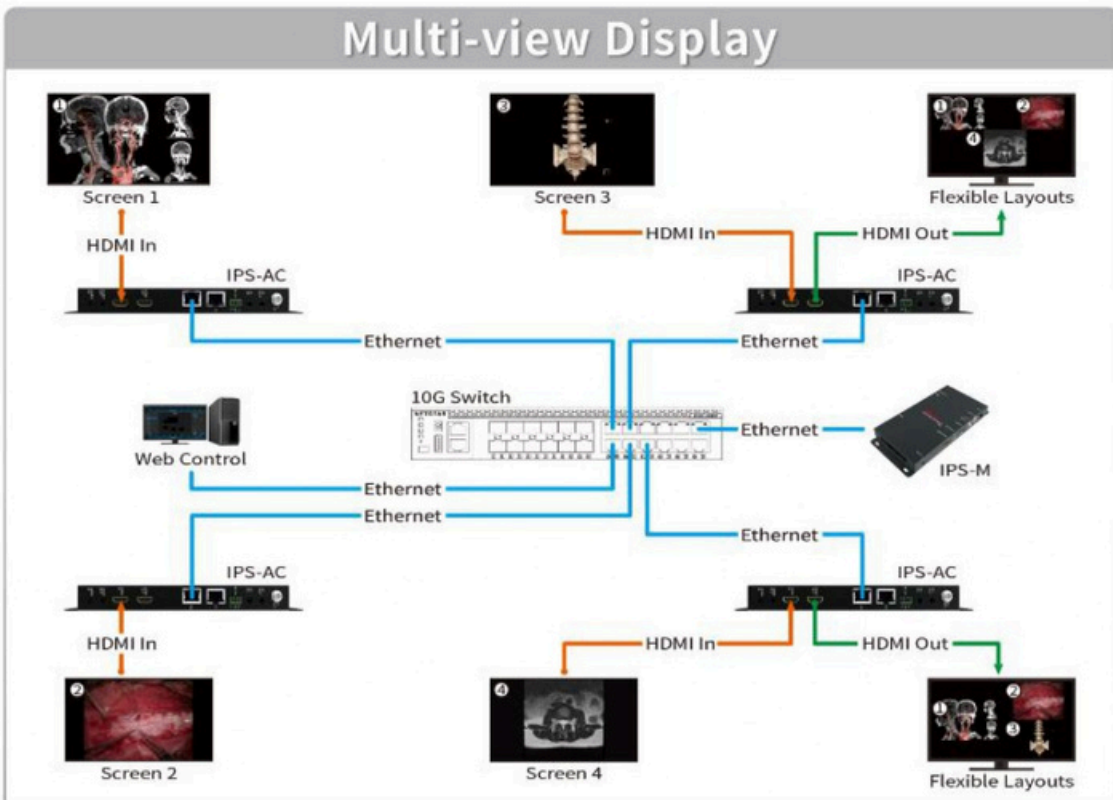
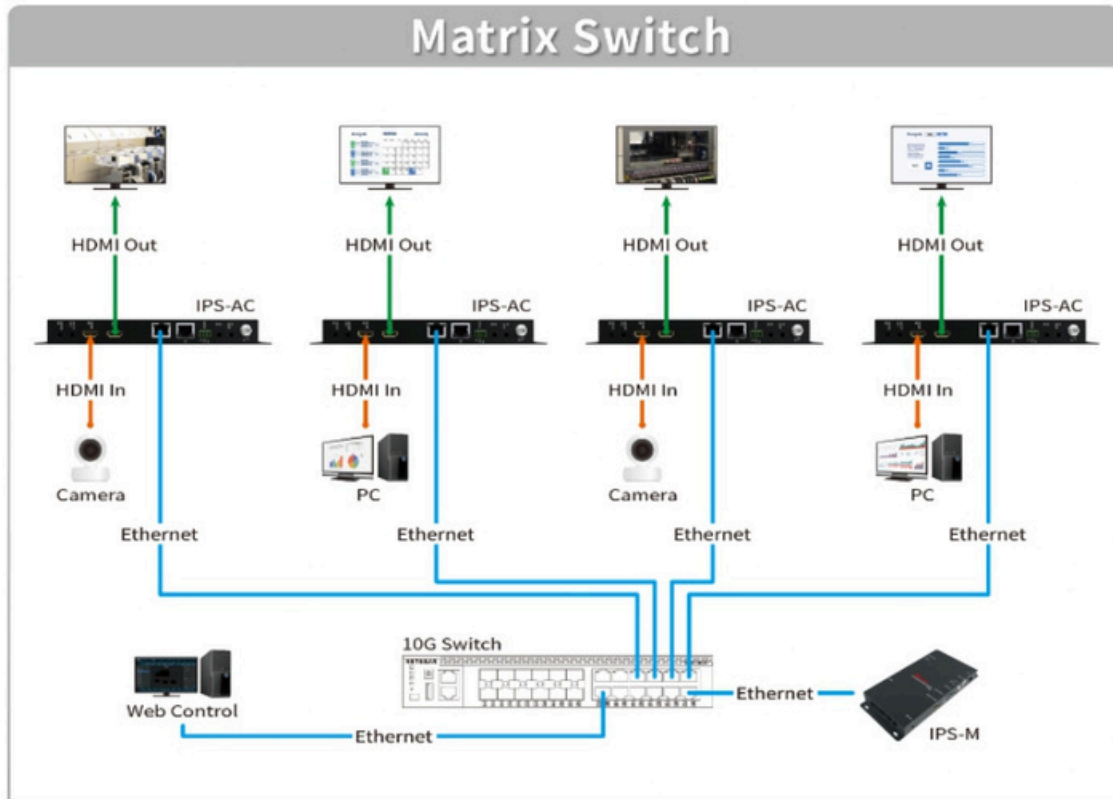
The IPS-AC, IPS-AF & IPS-M are ready to rack-mount on the RM-7U rack for easier management of devices.



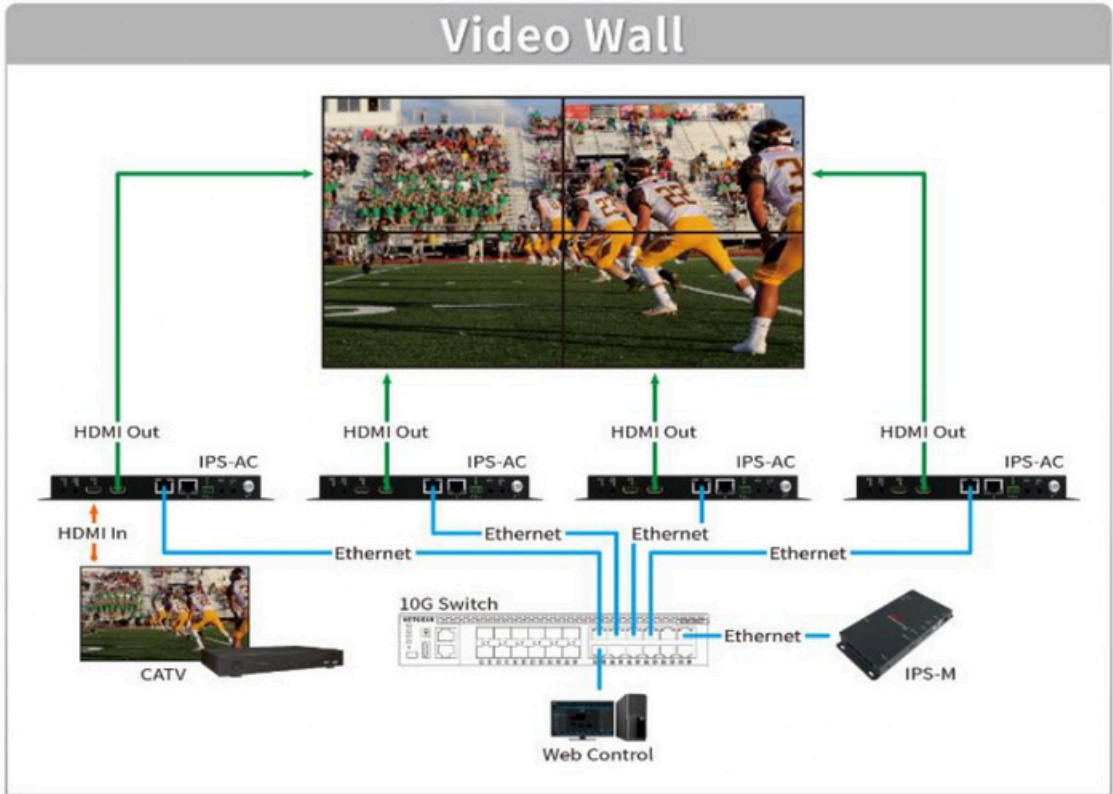
### End-to-end Encryption

End-to-end AES 128-bit encryption ensures safe video transit

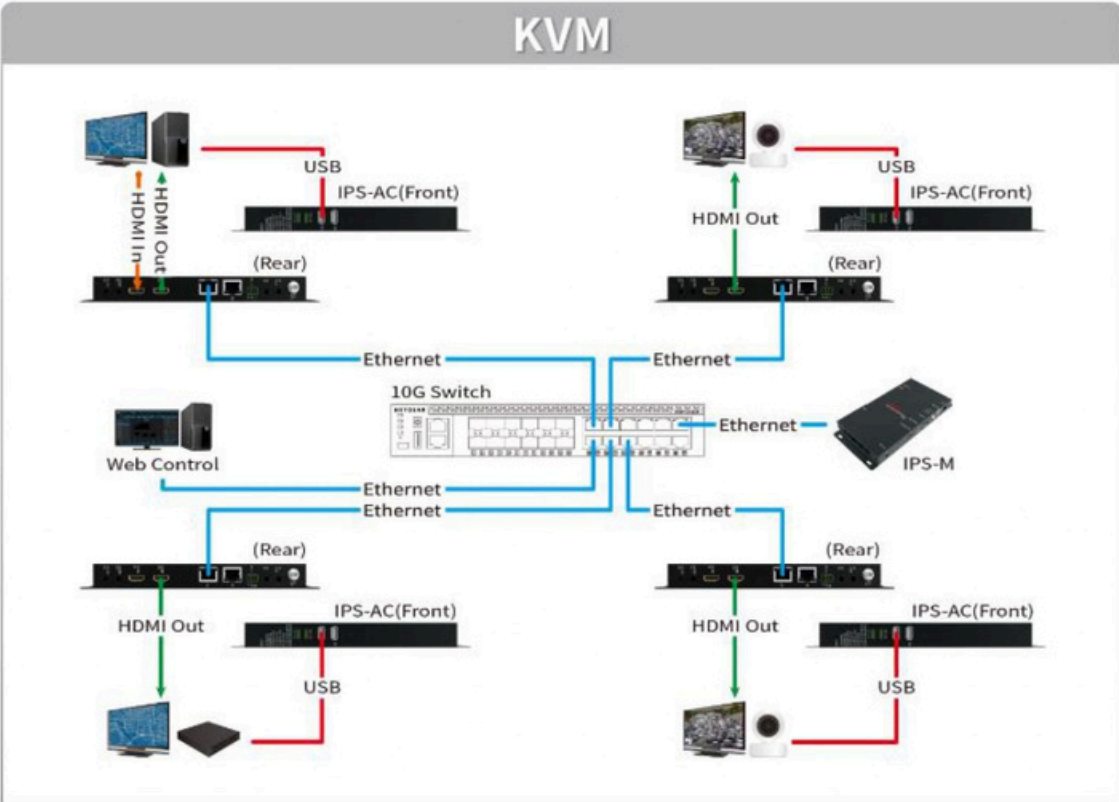
# Diagram



# Video Wall



# KVM



## Specifications

### IPS-AC / AF:

VIDEO INPUT	
Video Formats	Up to HDMI 2.0 4K/60Hz 4:4:4, HDR, DisplayPort 1.2
Connector	HDMI Type A
VIDEO OUTPUT	
Video Formats	Up to HDMI 2.0 4K/60Hz 4:4:4, HDR
Connector	HDMI Type A
EDID	Read Display EDID
HDCP	
HDCP	HDCP 2.2/1.4 Compliant
AUDIO INPUT	
Audio Format	Analog L/R MIC-IN, 20dB gain
Connector	3.5mm Jack
AUDIO OUTPUT	
Audio Format	Analog L/R
Connector	3.5mm Jack
SERIAL DATA	

Channel Capacity	1 bi-directional
Signal Format	RS-232
Data Rate	Up to 115,200 baud rate
Connector	Phoenix 3 pin
<b>USB</b>	
Signal Format	USB 2.0
Connector	Type-A
<b>USB HID</b>	
Signal Format	USB 1.1
Connector	Type-A
<b>1GbE</b>	
Connector	Copper / RJ45
<b>10GbE</b>	
IPS-AF	Fiber / SFP+
IPS-AC	Copper / RJ45 with POE+/PD
<b>POWER SUPPLY</b>	
Voltage	+12V DC
Current (Max.)	2A
Power Consumption	24W
<b>CASE</b>	



Dimensions (LxDxH)	210 x 114 x 25 mm
Construction	Metal enclosure with black textured paint finish
Net Weight	722g

**IPS-M Specifications:**

VIDEO OUTPUT	
Video Formats	Up to HDMI 2.0 4K/60Hz 4:4:4, HDR
Connector	HDMI Type A
EDID	Read Display EDID
SERIAL DATA	
Channel Capacity	1 bi-directional
Signal Format	RS-232
USB	
Signal Format	USB 2.0
Connector	Type-A
USB	
Signal Format	USB 3.1 GEN1
Connector	Type-A
USB	
Signal Format	USB Type-C
Connector	Type-C

ETHERNET	
Ethernet Speed	10/100/1000 Base-T
Connector	RJ45
POWER SUPPLY	
Voltage	+12V DC
Current (Max.)	2A
Power Consumption	24W
CASE	
Dimensions (LxDxH)	210 x 114 x 25 mm
Construction	Metal enclosure with black textured paint finish
Net Weight	656g

**RM-7U Specifications:**

<b>MECHANISM</b>	
Dimensions (WxHxD)	483 x 311 x 300 mm (Chassis Only)
	483 x 311 x 349 mm (Handles Included)
Net Weight	6,200g
Chassis Material	Metal
Color	Black
Device Slot	14
<b>POWER SUPPLY</b>	
Power Input	100 - 240VAC, 4.0A, 50/60Hz
Power Output	12V / 26.7A
Power Consumption	320.4W (Max.)