

Parameters

V1.0 2022011

Absen
Trusted LED Supplier

Parameters	CP2.5	CP2	CP1.8
LED type	Black SMD1515	Black SMD1515	Black SMD1515
Pixel pitch (mm)	2.5	2	1.86
Panel dimensions (W*H, mm)	320×480×55	320×480×55	320×480×55
Panel resolution	128x192	160x240	172x258
Pixel weight (kg)	2.1	2.4	2.3
Module size (W*H, mm)	320×160	320×160	320×160
Brightness (nit)	500	500	500
Refresh rate (Hz)	3840	3840	3840
Grayscale (bit)	14	14	14
Viewing angle (H/V, °)	160/140	160/140	160/140
AC operating voltage(V)	100~240	100~240	100~240
Power consumption (max./avg., W/m ²)	330/110	325/108	320/107
Storage temperature (°C)	- 40~ + 60	- 40~ + 60	- 40~ + 60
Operating temperature (°C)	- 10~ + 40	- 10~ + 40	- 10~ + 40
Storage humidity (RH)	10%~85%	10%~85%	10%~85%
Operating humidity (RH)	10%~80%	10%~80%	10%~80%
IP rating	IP40/IP21	IP40/IP21	IP40/IP21
Certificate	CCC	CCC	CCC

★ Shenzhen Absen Optoelectronic Co., Ltd. reserves the right to modify product design, specifications, and parameters without further notice.
Photos are used for illustration purpose only as products may differ from these photos. All rights reserved by Shenzhen Absen Optoelectronic Co., Ltd.



Absen Optoelectronic Co.,Ltd
18-20F Building 3A, Cloud Park, Bantian Huawei Base,
Longgang District Shenzhen, 518129, P.R.China
T: +86-755-89747399 E: absen@absen.com
F: +86-755-89747599 W: www.absen.com

Absen Inc.
7120 Lake Ellenor Drive, Orlando,
Florida 32809, USA
T: +1-407-203-8870 E: info@usabsen.com
F: +1-407-203-8873 W: www.usabsen.com

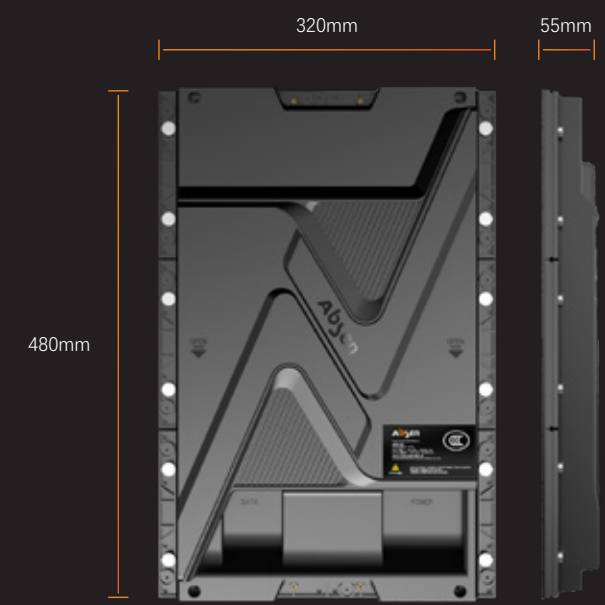
Absen GmbH
Hessenring 4c, 64546 Moerfelden-Walldorf (Frankfurt am Main),
Germany
T: +49 (0) 6105 718941-0 E: europe@absen.com
F: +49 (0) 6105 718941-29 W: www.absen-europe.com

CP Series
CP2.5 / CP2 / CP1.8



CP Series

CP2.5 / CP2 / CP1.8



 **Ready-to-use panel**
Integrated product design

 **Vivid performance**
High refresh rate, high grayscale

 **Flexible splicing**
Disassemble panel for size adjustment

 **Magnetic installation**
Full front maintenance with vacuum tools

Ready-to-Use LED

Superior Quality/ Worry-Free/ Safe & Secure

VS

On-Site Assembly LED

Inferior Quality/ Troublesome/ Hidden Dangers

Superior Quality

- Excellent product design
- Reliable raw material
- Standard manufacturing process
- Quality control throughout the whole manufacturing process
- Extraordinary visual effect



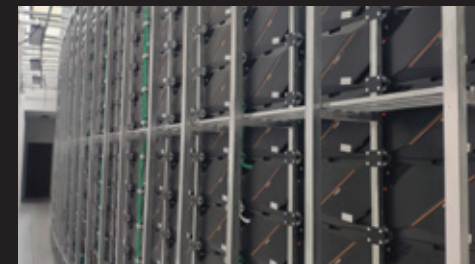
Worry-Free

- Ready-to-Use Panel
- Quick Installation
- One-Stop Standard Solution
- Global Service and Long Term Warranty



Safe & Secure

- Safe and Trustworthy
- Certification
- Professional Installation & Maintenance Services



Inferior Quality

- Crude product design
- Poor raw material
- Non-standard manufacturing process
- No strict quality control
- Terrible visual effect



Troublesome

- On-Site Assembly
- Complicated Installation
- Non-Standard Solution
- Unreliable After-Sales Service



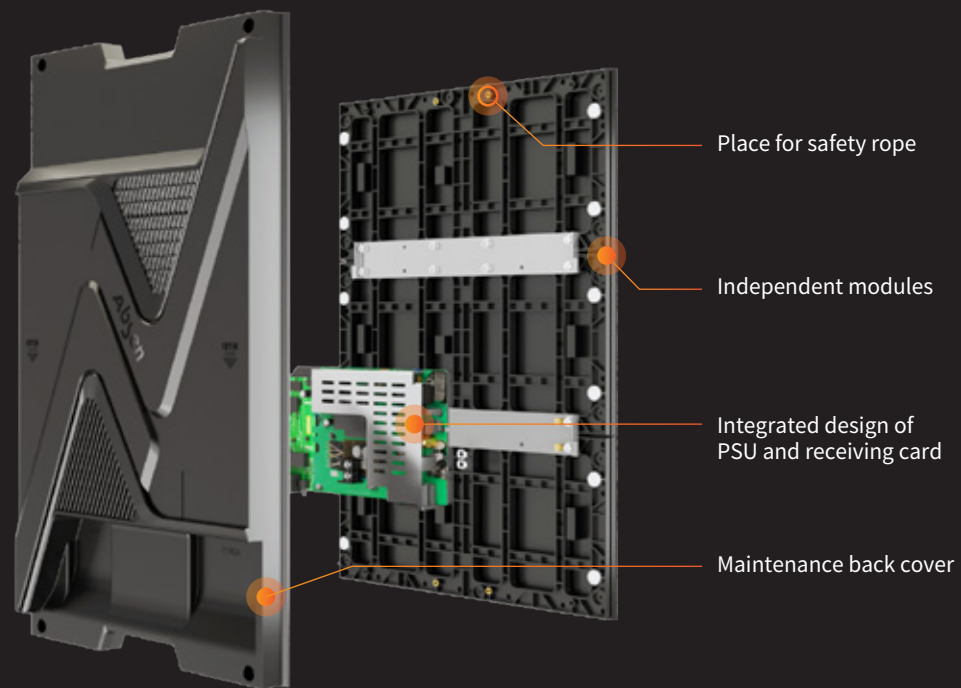
Hidden Dangers

- Great Security Risks
- No Certification
- Non-Standard Installation & Maintenance Services



Ready-to-use panel with superior quality

Adopting an all-in-one design, the product including Absen-branded PSU and receiving card. Ready-to-use panel, no need for secondary assembly, and the screen flatness is better. All accessories with superior quality are supplied from Absen-factory.



Neat wiring design

Simple data and power cable cascade design.



Vivid, accurate and stable display

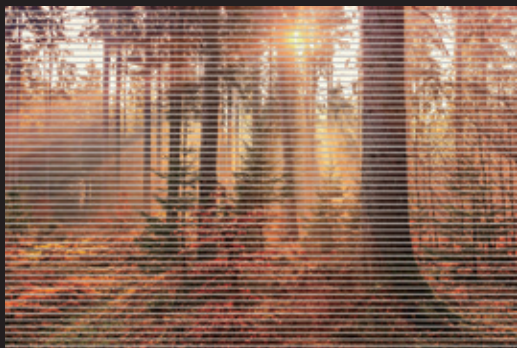
3840 high refresh rate, no scan lines for taking pictures.
Supporting high grayscale display at low brightness for true-to-nature colors.



3840 high refresh rate
(Pictures taken without scanning lines)



High grayscale
(Clear details)



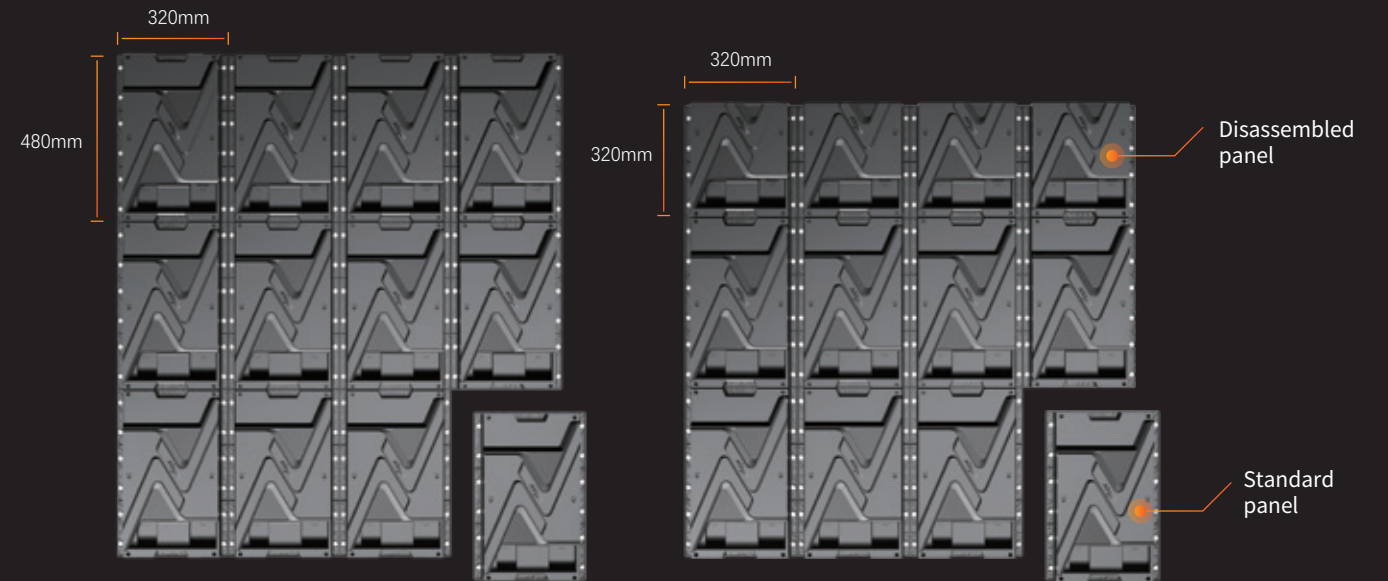
Low refresh rate
(Pictures taken with scanning lines)



Low grayscale
(Missing details)

Disassemble panel for flexible splicing

The disassemble panel can be connected vertically with standard panels to allow for flexible screen size adjustment.



Splicing with standard panels

Standard panels and disassembled panels can be connected together vertically

Magnetic installation with steel structure

Easy installation of large screen with magnetic installation scheme.



Installation efficiency increased by 30%
Lower installation costs effectively



Safety rope (Optional)
For additional security in installation & maintenance



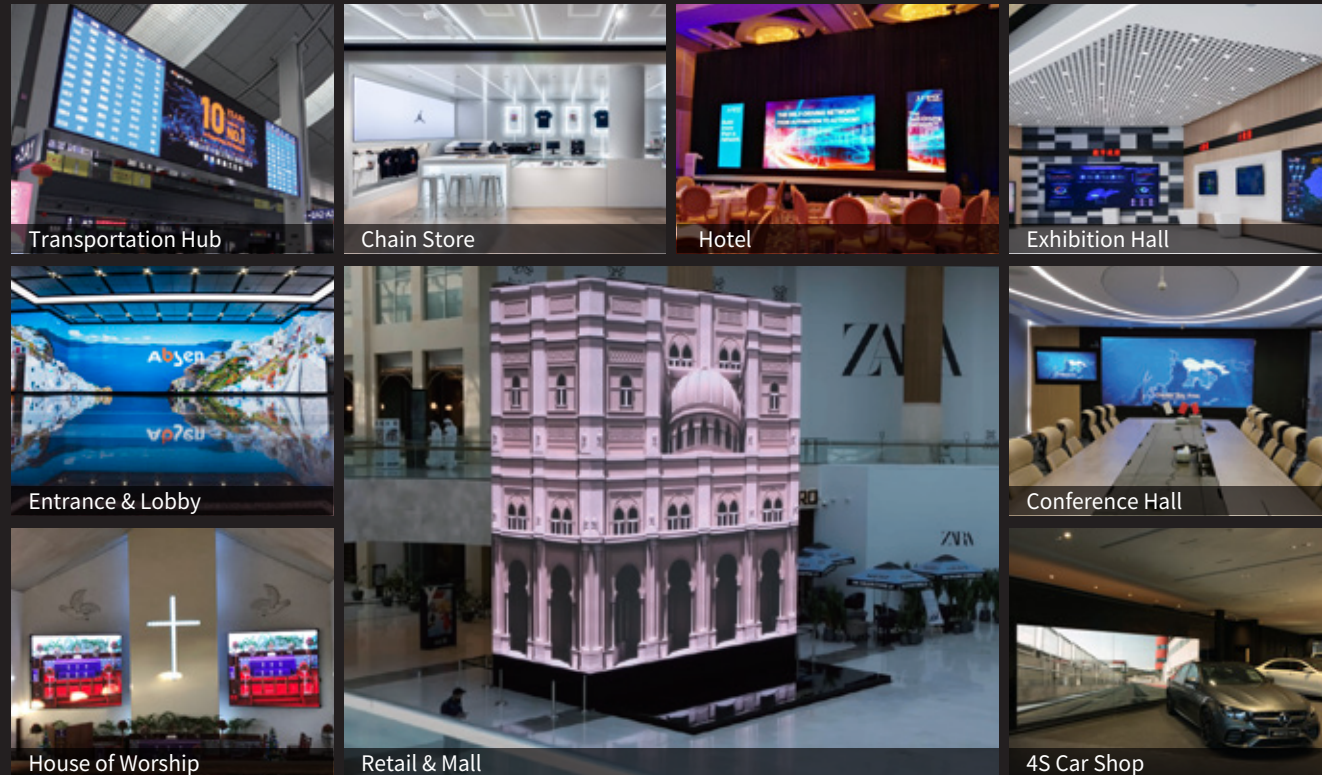
Recommended height of LED wall: 6m or less
Steel structure suitable for most scenarios

Full front maintenance

CP Series supports full front maintenance with vacuum tools for easy operation and assembly, requires no special maintenance channels.



For Main Application Scenarios of Commercial Display



And More Application Scenarios.....

Safe and Stable

Standard manufacturing process and a number of quality tests ensure safe operation of CP series



Reliable raw material

High quality LED lamp ,
power box and other accessories



Standard manufacturing process

Adhere to standard manufacturing
process to ensure product quality



Quality control throughout the whole manufacturing process

18 monitoring links
29 operation processes
33 recording links
2285 inspections and tests



Certifications

China Compulsory Certification
Energy Conservation Certification
Pass performance/ blue light hazard/ photobiology test, etc.



Long service life

Pursue precision and high quality
Energy efficiency, long service life



Save operating cost

Stable product quality
Low operational risks
Low operating and maintenance costs

Professional service, best experience

Absen has built up a global network , able to provide prompt and professional local services.

Absen service ability

Comprehensive support

Enjoy 1-year warranty, support up to 1-year extended warranty, lifetime maintenance, and enjoy 10+ items of professional service solutions to help you solve problems

Global coverage

400+ Absen certified partners, 2,800+ Absen certified engineers, covering most of the global market, the global service network is continuing to expand vigorously

Multiple service channels

Providing service via multiple channels such as Hot line, WeChat, WhatsApp, E-mail and official website to quickly take care of service requirements

24/7 response

24/7/365 available, quick response in 10 seconds

One-stop service

Enjoy exclusive and professional service in the whole process of pre-sales, sales and after-sales

Absen service philosophy

Initiative

Proactive care and return visits, regular touring inspection services for customers

Efficiency

Absen customer service center responds within 10 seconds, intelligently match the best local service resources, and enjoy a fast service experience

Standardization

Comprehensive service engineer training system, ACE professional training and certification, ACP professional certification; establishing customer's product files and record the entire service process

Thoughtfulness

Longer warranty, worry-free quality

Service channels

Hot line: +86 400-700-3278
WeChat: 13923413428
WhatsApp: 008613923413428
Email: service@absen.com
Official website: www.absen.com

Service time (GMT+8)

8:30~24:00: Staff service
00:00~8:30: Intelligent system service

