



# Product Specification

## Overview

This document briefly introduces H series Interactive Flat Panel Display(IFPD) product positioning, characteristics, details and specifications. It is mainly use for end-users, agents, and sales to read.

## Notice

This specification is for reference only, the products and services you purchase should be subject to the actually signed contracts and terms;

Due to the influence of product configuration and manufacturing process, the actual weight and size may have slight differences from this specification, please refer to the actual product;

The picture in this specification is for reference only, please refer to the actual product;

Due to product version upgrades and other reasons, the content of this specification may be revised in real time to match the actual product specification;

In the event of the above adjustments and modifications, unless otherwise specified, no special notice will be made.

## Product View



## Product Positioning

H series is a new generation of intelligent interactive flat panel, which integrates whiteboard writing, wireless screen projection, audio and video, and supports touch operation. It is suitable for deployment in small and medium conference rooms, open office areas, training rooms and other places.

## Product Highlights

- Support Android 11.0 operating system, optional OPS computer, which realize Android and Windows dual system available;
- High-precision, low touch height (1mm) infrared touch, excellent touch and writing experience;
- Support anti-miss-touch, whiteboard writing can also support large and small pen recognition while anti-miss-touch happen;
- Anti-glare tempered glass is used, the air gap between the tempered glass and the display screen is  $\leq 0.8\text{mm}$ , it reduce the refraction of light and greatly improve the visual experience of viewing from a wide viewing angle;
- 3 front USB3.0 ports, dual system automatically follow;
- Front shortcut key: one-key direct access to all common functions;
- Support user-defined home page icon, smart floating ball, gesture operation, easy to operate;
- Interface, button, remote control and touch can be lock independently;
- Front type-C interface: Support U disk read and write, 4K 60Hz video transmission, touch back, charging and other functions;
- Built-in forward-facing speakers: 2\*15W;
- Optional screen projector: Windows, Mac OS, mobile' s NPC can realize one-click make it work.

## Product Specification

### 1. Machine overview

All-in-One machine	Product name	Interactive Flat Panel Display		
	Product number	65HD1	75HD1	86HD1
	Color	Palladium blue		
	Material	Metal aluminum (front) + metal (rear)		
	Features	Narrow bezels, low touch height		

### 2. Display screen

LCD Panel	Size	65inch	75inch	86inch
	Display area(H*V)	1428.48mm*803.52mm	1649.66mm*927.94mm	1895.04mm*1065.96mm
	Backlight type	LED		
	Resolution	3840*2160		
	Brightness	350cd/ m <sup>2</sup>		
	Contrast	1200:1		
	Response time	8ms		
	Viewing angle	≥178 °		
	Refresh rate	60Hz		

### 3. Touch screen

Touch panel	Touch panel	4mm anti-glare tempered glass
	Touch technology	Infrared touch
	Touch points	20 points
	Touch resolution	32767(H)*32767(V)
	Touch accuracy	± 1mm
	Response time	≤8ms
	Interface driver	USB free drive
	Writing style	Fingers or opaque objects
	Anti-light ability	80KLux
	Support system	Android/Windows (Optional)

### 4. System configuration

Android	Android version	Android 11.0
	CPU/GPU	ARM Cortex A55*4 / ARM Mali-G52 MP2
	RAM	4G
	ROM	32G
	Expandable storage	TF card (Support up to 128G)
	Compatible video formats	AV1 MP-10、WMV/VC-1、AVS2、H.265 、VP9、H.264 、MPEG-4、AVS-P16、MPEG-2、MPEG-1
	Front physical buttons	Whiteboard, mirroring, multi-function, power, multitasking, volume, brightness
	Front interface	USB3.0*3, HDMI IN*1, TOUCH*1, Type-C*1

## H Series IFPD Product Specification

	Rear interface	HDMI IN*2、TOUCH*1、USB3.0*3、MIC IN*1、Line OUT*1、RS232*1、AV IN*1、AV OUT*1、COAX OUT*1、LAN IN*1、LAN OUT*1、TF*1、HDMI OUT*1
Other	Speaker	15W*2 (forward)
	WiFi	Built-in dual 2.4G/5G modules, support Wifi 6
	Bluetooth	Built-in

### 5. Power specifications

Power parameters	Input power	100~240V 50/60Hz		
	Power consumption(about)	65 inch: 300W	75 inch: 370W	86inch: 450W
	Standby power consumption	≤0.5W		
	Switch	With switch button		
	Power interface	Y shaped socket		

### 6. Accessories

Appendix	Guide book	1 set
	Wall mount bracket	1 set
	Remote control	1 pc
	Touch pen	2 pcs
	Power cable (3m length)	1pc local power cable

### 7. Environmental specifications

Environmental parameters	Storage temperature	-20 ~ +60℃
	Storage humidity	10%RH ~ 90%RH
	Operating temperature	0 ~ +50℃
	Working humidity	10%RH ~ 90%RH
	Service life	≥30000 hours

### 8. Optional

OPS computer	Standard 80 Pin Interface OPS
--------------	-------------------------------

### 9. Installation specifications

Size & weight	Size	65inch	75inch	86inch
	Machine size (length*high*thick)	1493.43*904.78 *102.87mm	1715.66*1030.15 *103.15mm	1961.0*1167.8 *103.15mm
	Machine size include wall mount bracket (length*high*thick)	1493.43*904.78 *124.87mm	1715.66*1030.15 *131.55mm	1961.0*1167.8 *122.65mm

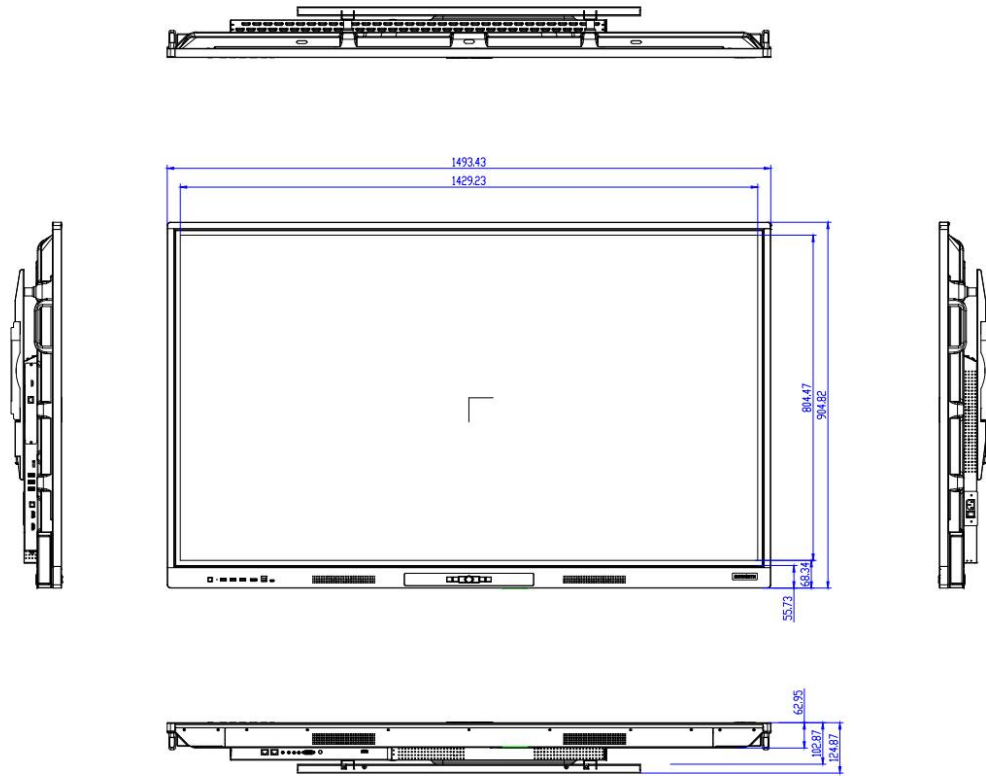
## H Series IFPD Product Specification

---

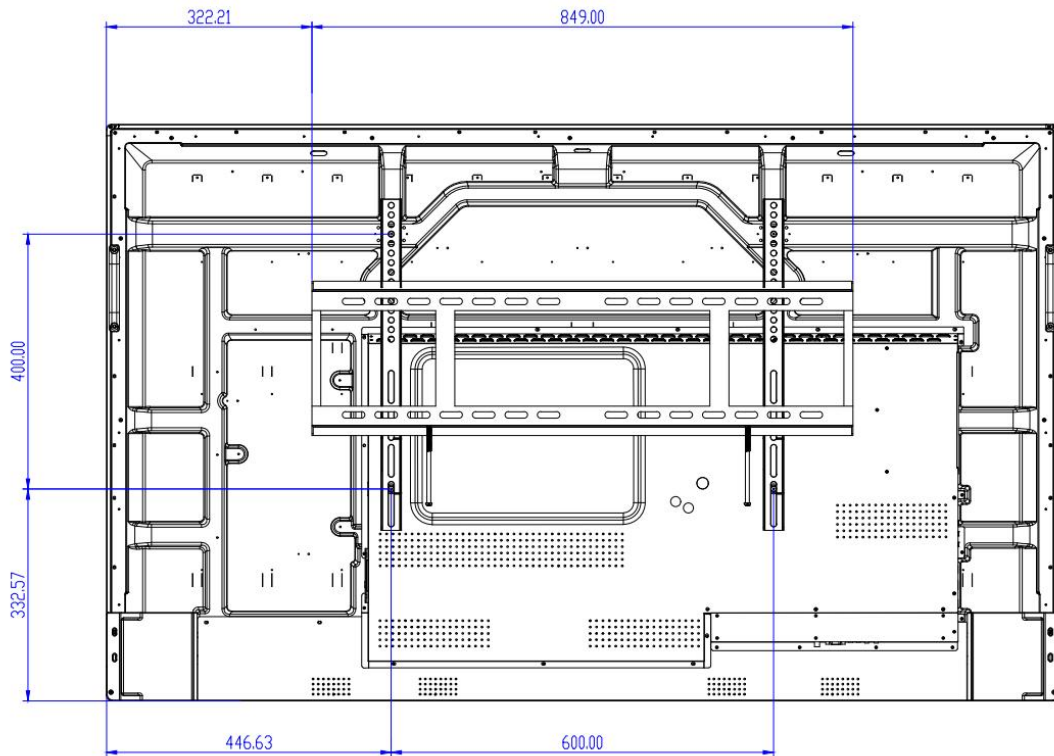
	Hole distance of wall mount	600(H)*400(V) mm	600(H)*500(V) mm	800(H)*600(V) mm
	Packing	Carton		
	Package size	1623*1065 *215mm	1846*1190 *215mm	2092*1329 *215mm
	Net weight	40Kg	55Kg	63Kg
	Gross weight	47Kg	70Kg	80Kg
	Wall mount bracket	Free include: Vertical bar, Horizontal beam, Accessories		

## 10. Outline drawing-65HD1

### 1. Front view

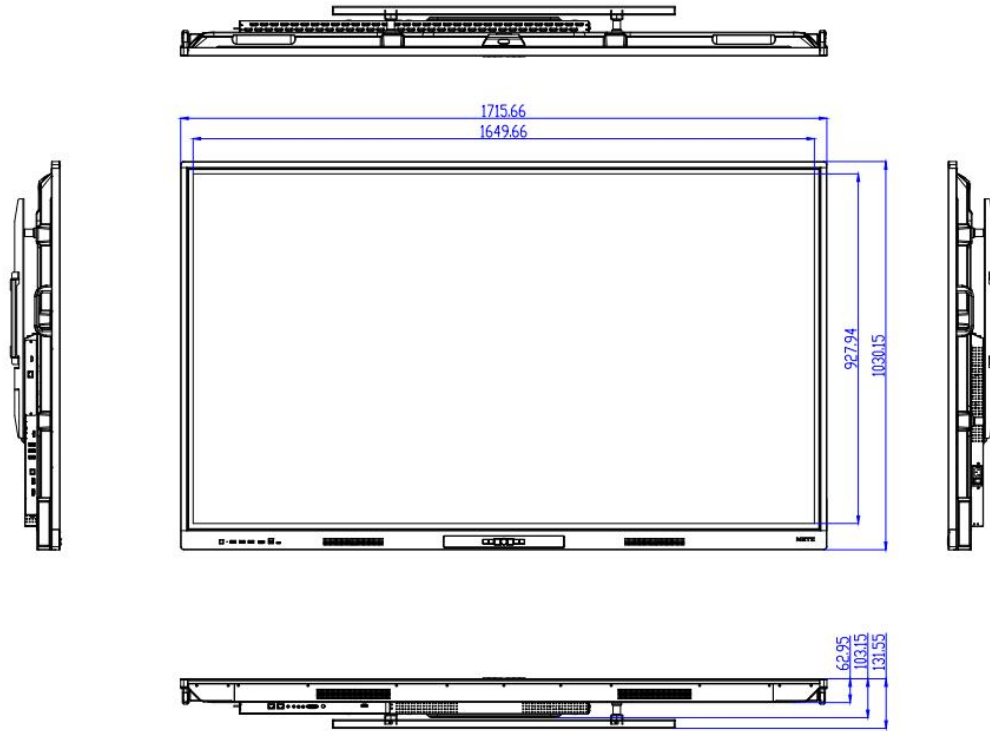


### 2. Rear view

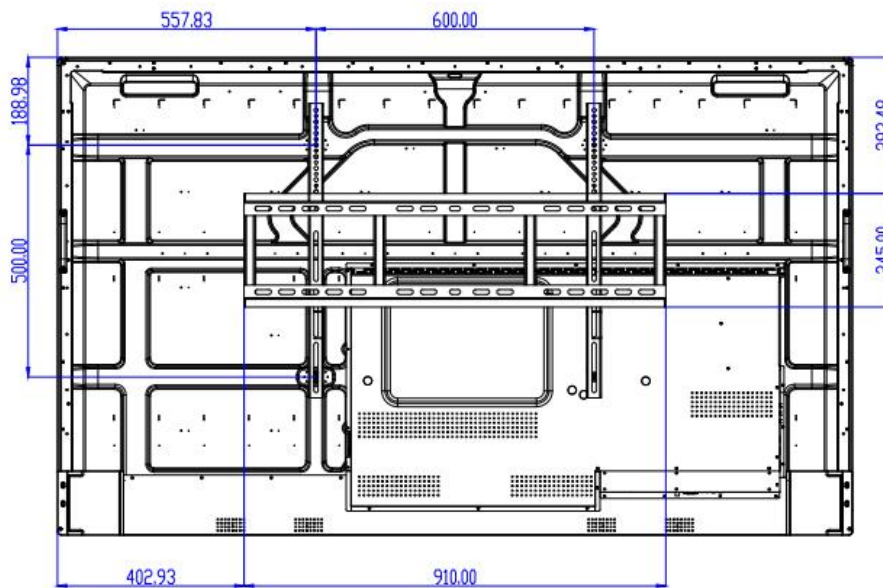


### 11. Outline drawing-75HD1

#### 1. Front view

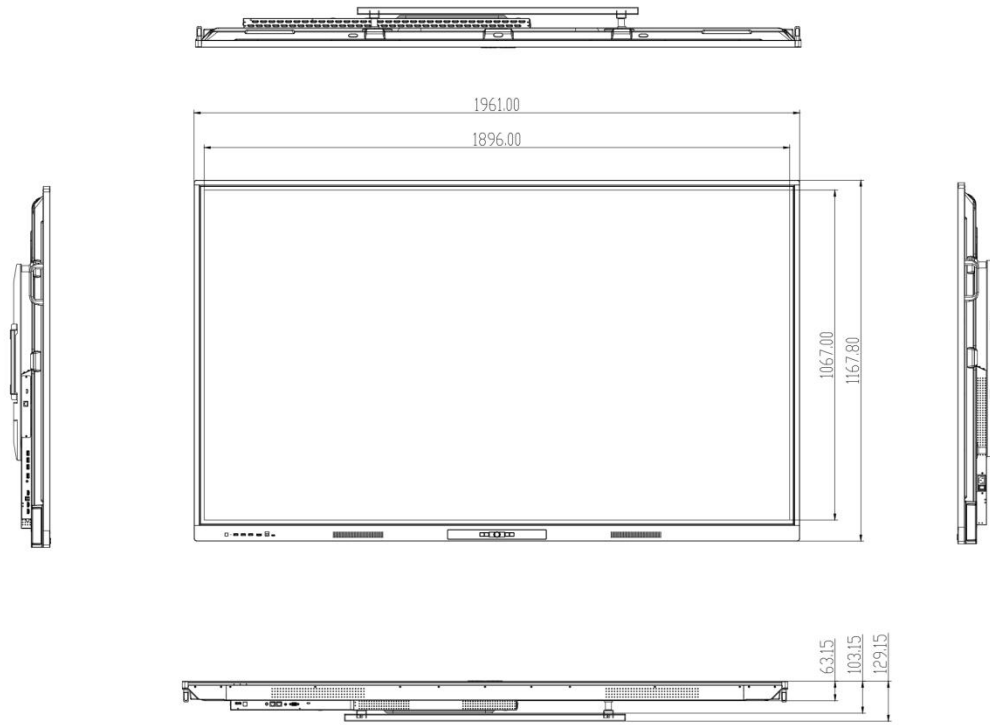


#### 2. Rear view



## 12. Outline drawing-86HD1

### 1. Front view



### 2. Rear view

